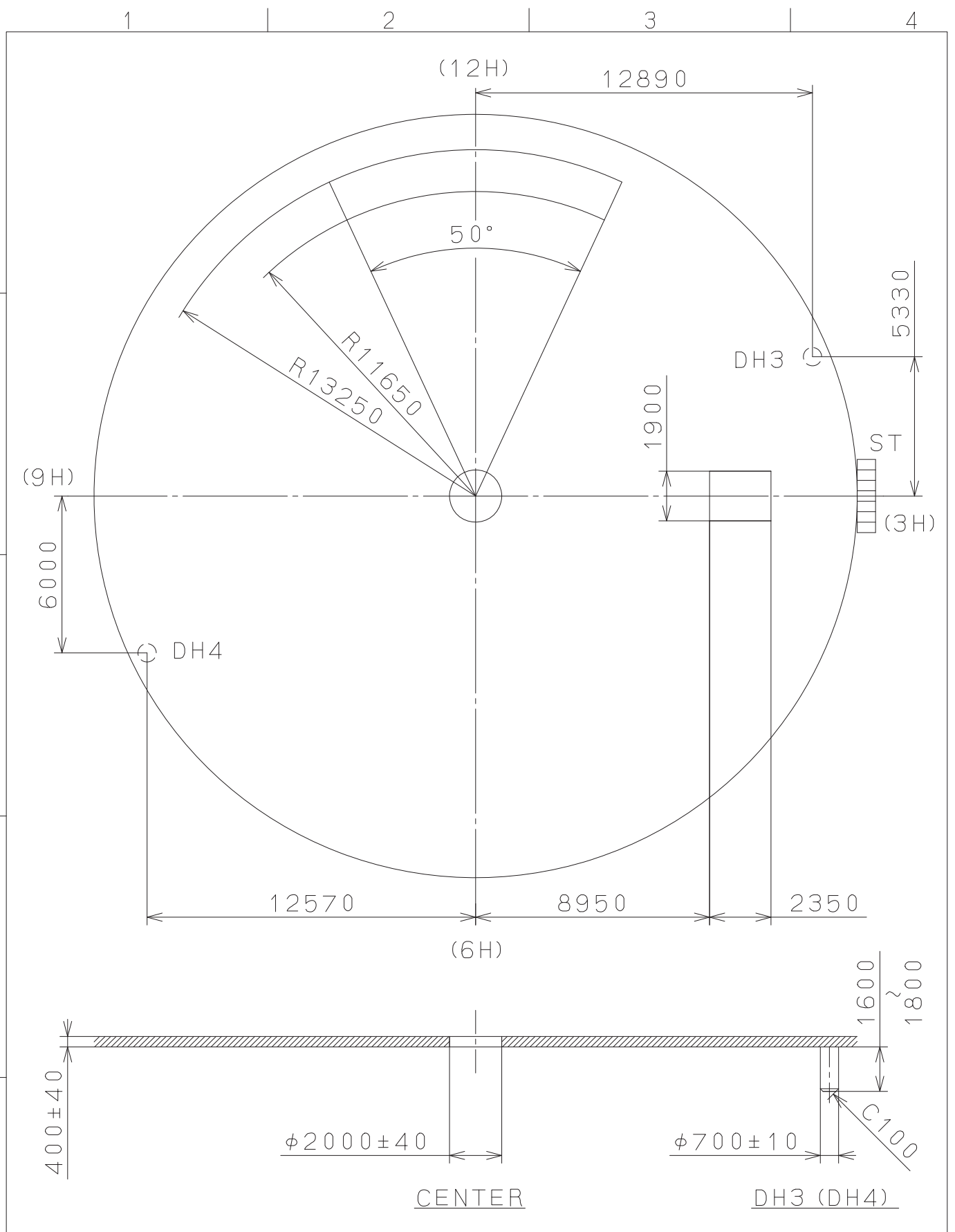


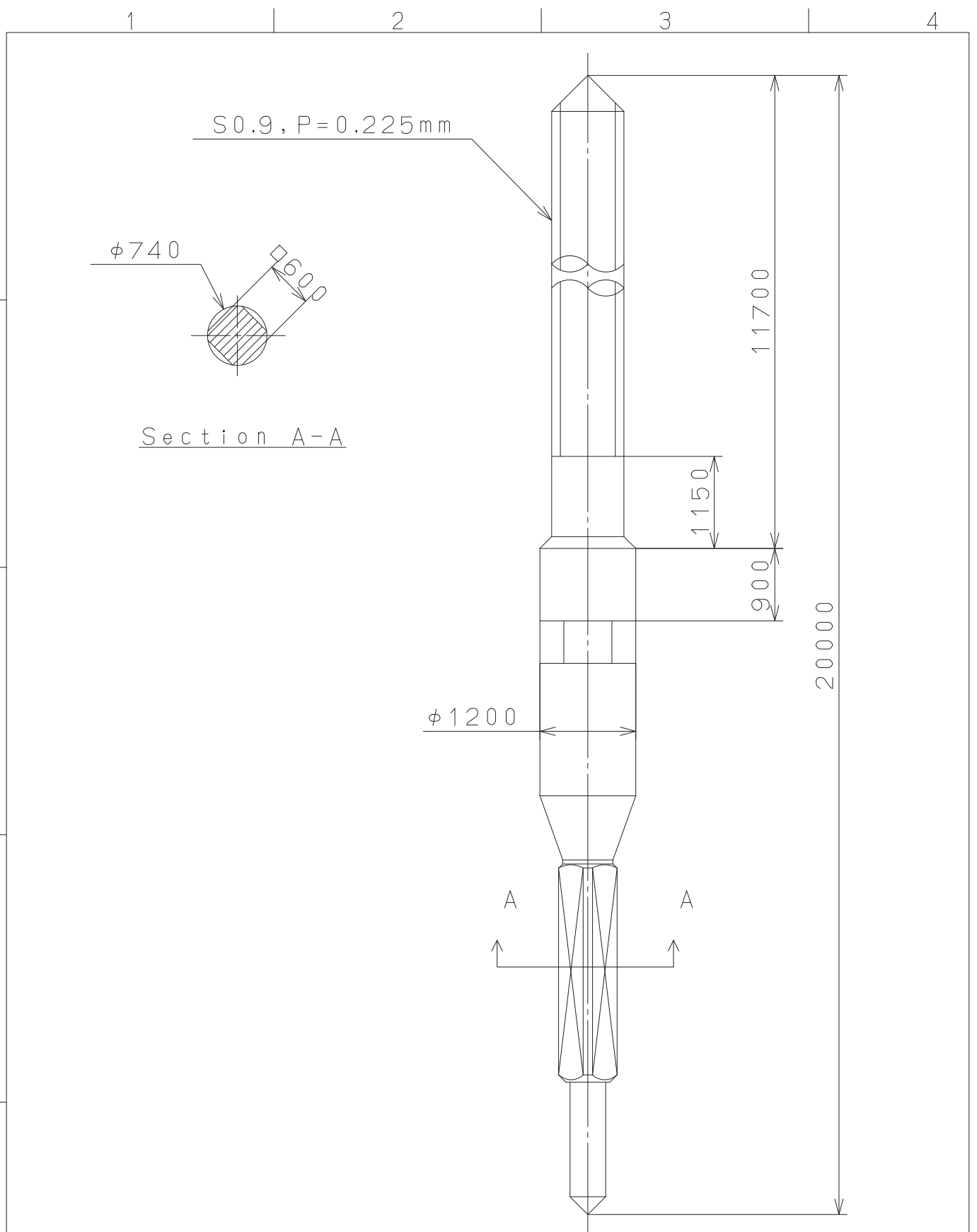
This drawing is provisional and subject to our reconfirmation and/or revision without notice.



△5			Quantity		Cal.NO.:
△4			Unit	1 / 1000 mm	8285-21B
△3			Scale	5 : 1	Parts No.:
△2			Date		
△1			Drawn		
Mark	Date	Description	Appr.	Checked M. Kobayashi	Name:
Alterations			Approved		Indications for Dial
Material					Drawing No.: 8285D010
Heat Treatment				General Tolerances	MIYOTA
Hardness				Dimensions	
Plating				Angles	
					CITIZEN WATCH CO., LTD. TOKYO, JAPAN

2008/11/14 (11:30:42)

This drawing is provisional and subject to our reconfirmation and/or revision without notice.



△5			Quantity		Cal.NO.:
△4			Unit	1/1000mm	
△3			Scale	15:1	Parts No.:
△2			Date		065-212
△1			Drawn		
Mark	Date	Description	Appr.	Checked	Name:
		Alterations		Approved	SETTING STEM
Material					Drawing No.:2120S001
Heat Treatment				General Tolerances	MIYOTA
Hardness				Dimensions	
Plating				Angles	
					CITIZEN WATCH CO.,LTD. TOKYO,JAPAN

Size
<ligne> 13'''

Height
<mm> 5.94

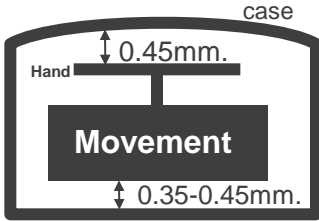
Accuracy
<per Day> -20~+40 sec

Posture Difference
(under) 50 sec

Running time
42 hours

Vibration Frequency
<per Hour> (vibration) 21600

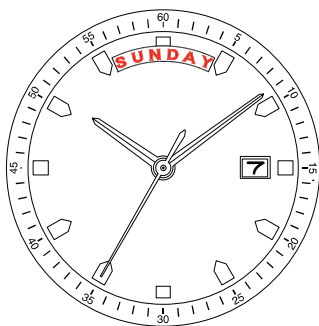
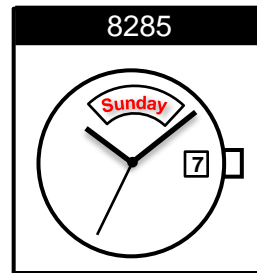
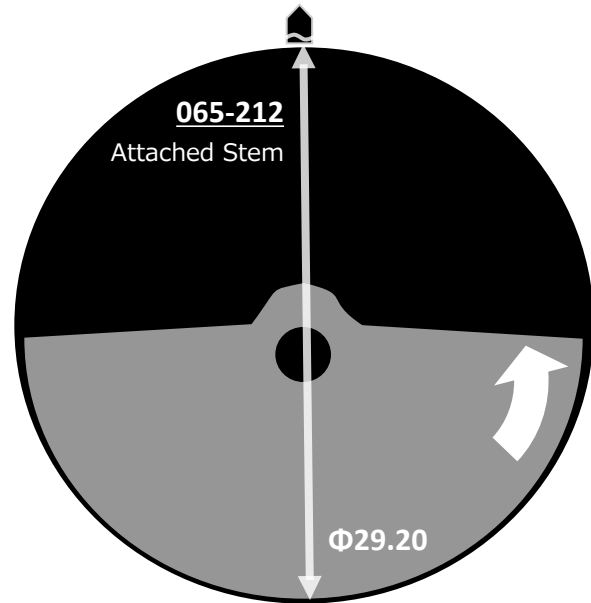
Clearance
Clearance changes subject to the glass, case structure, and the length of the hand.



Jewels
21 pcs

Lift Angle
49 degree

Original Package
300 pcs



Setting the Time

Setting the Date and Day

DO NOT set Date between 9:00pm - 1:00am
DO NOT set Day between 1:00am - 4:30am

Time measurement & Winding


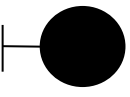


Mechanical

Accuracy

Measure within lapse of 10 ~ 60 minutes from full winding with ① posture.

Posture difference

Measure accuracy in below ① ~ ④ postures.

① Dial side up	①	②	③	④
② 6 o'clock side up				
③ 9 o'clock side up				
④ 3 o'clock side up				

■ **To make full-winded**

90 / 91	Turn the crown 40 times
82 / 8N	Turn the crown 40 times
6T	Turn the crown 20 times

■ **Winding direction**

